

RC 7386462

U- Lead
MS

COMPANY PROFILE

Wellsite Geology

Mud Logging Services

Operations Geology

Reservoir Characterization & Quantitative Analysis

Mud Engineering

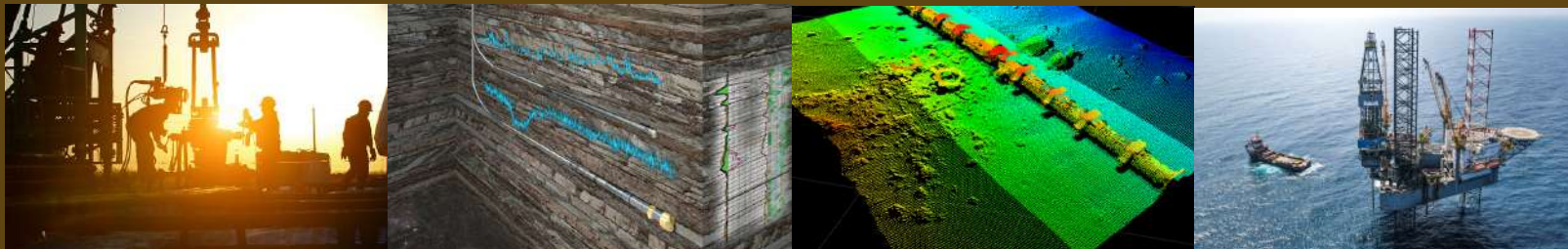
DGNSS Positioning

Geohazard Seabed Surveys

Procurement & Project Management

Environmental Services

U-Lead MultiServices



For Enquiries

E-mail: info@ulead-ms.com

Tel: +234 (0) 706 719 9823

Web: www.ulead-ms.com

U-Lead MultiServices



Mud Engineering

Mud Logging
Drilling Fluids

Wellsite Geology

Operation & Development Geology
Wellbore Interpretation & Analysis

DGNSS Positioning

Rig Positioning & Wellfix Services
ROV Support & Subsea Positioning

Geohazard Seabed Surveys

Seafloor Characterization
Seismic Sub Bottom Profiling

Procurement & Project Management

About Us

U-Lead MultiServices Ltd is an indigenous Nigerian company operating from her head office in Lagos Nigeria. With partners in Cameroun, Germany and Canada, U-Lead MultiServices intends to provide affordable mud system services, wellsite geological operations, offshore positioning and marine geophysical survey services to her clients in Nigeria and the African continent.

Competence . Leading Technology

Newly incorporated, U-Lead MultiServices is building a reputation in the Nigerian Oil and Gas Industry particularly by supporting other local survey companies in areas of unique personnel resource and cutting-edge technology supply.

Our team of experienced engineers, geologists, geophysicist and surveyors are immeasurably certified, and our equipment pool boast of the latest software packages and leading-edge technology that are readily available to be deployed in record time.



U-Lead MultiServices



Mud Engineering

Mud Logging
Drilling Fluids

Wellsite Geology

Operation & Development Geology
Wellbore Interpretation & Analysis

DGNSS Positioning

Rig Positioning & Wellfix Services
ROV Support & Subsea Positioning

Geohazard Seabed Surveys

Seafloor Characterization
Seismic Sub Bottom Profiling

Procurement & Project Management

Our Philosophy

At U-Lead MultiServices, we continually strive to give a new definition to wellsite and offshore survey operations with our radically distinctive expertise. To support this vision, we are committed to providing the best hands available in the industry, deploying the most recent technology and innovations in the execution of our services to guarantee the fulfillment of our clients' requirements.

Quality, Health, Safety & Environment

Performing our services right and providing it safely, with the highest work standards is our prime objective. Just as we do not compromise the health of our workers, we are firmly committed to protecting the environment, resolute in preventing accidents and determined to be the frontrunner in occupational safety.

We drive and operate an integrated QHSE management system that is focused and based on the international standard organization for Quality, Environment, Occupational Health and Safety.



U-Lead MultiServices



Mud Engineering

Mud Logging
Drilling Fluids

Wellsite Geology

Operation & Development Geology
Wellbore Interpretation & Analysis

DGNSS Positioning

Rig Positioning & Wellfix Services
ROV Support & Subsea Positioning

Geohazard Seabed Surveys

Seafloor Characterization
Seismic Sub Bottom Profiling

Procurement & Project Management

Vision & Mission

Our **Vision** at U-Lead MultiServices is to create Unique Expertise that will give a new definition to Wellsite Operation and Offshore Survey Services.

Our **Mission** at U-Lead MultiServices is to offer the best hands available in the industry and deploy the latest technology to meet our clients' requirements.

Quality, Health, Safety & Environment

Performing our services right and providing it safely, with the highest work standards is our prime objective. Just as we do not compromise the health of our workers, we are firmly committed to protecting the environment, resolute in preventing accidents and determined to be the frontrunner in occupational safety.

We drive and operate an integrated QHSE management system that is focused and based on the international standard organization for Quality, Environment, Occupational Health and Safety.



U-Lead MultiServices



Mud Engineering

Mud Logging
Drilling Fluids

Wellsite Geology

Operation & Development Geology
Wellbore Interpretation & Analysis

DGNSS Positioning

Rig Positioning & Wellfix Services
ROV Support & Subsea Positioning

Geohazard Seabed Surveys

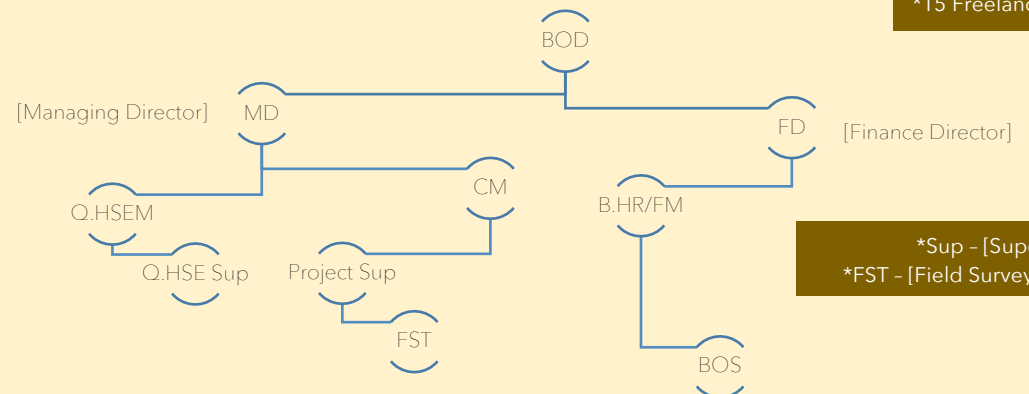
Seafloor Characterization
Seismic Sub Bottom Profiling

Procurement & Project Management

Company Structure

- Operations/Technical Unit - Led by the Country Manager (CM)
- Quality/Health Safety Environment Unit - Led by the QHSE Manager (Q.HSEM).
- Human Resource/Finance Unit - Led by the Base HR/Finance Manager (B.HR/FM)
- The Country Manager and QHSE Manager reports to the Managing Director (MD).
- The Base HR/Finance Manager reports to the Finance Director (FD).

Organization Chart



U-Lead MultiServices Ltd

U-Lead MultiServices

For Enquiries

E-mail: info@ulead-ms.com
Tel: +234 (0) 706 719 9823
Web: www.ulead-ms.com